

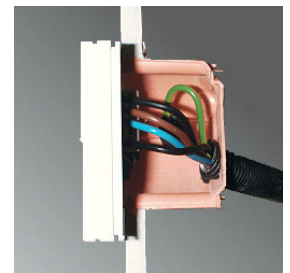
Room Thermostats/Clock Thermostats -with remote sensor for electric floor heating-



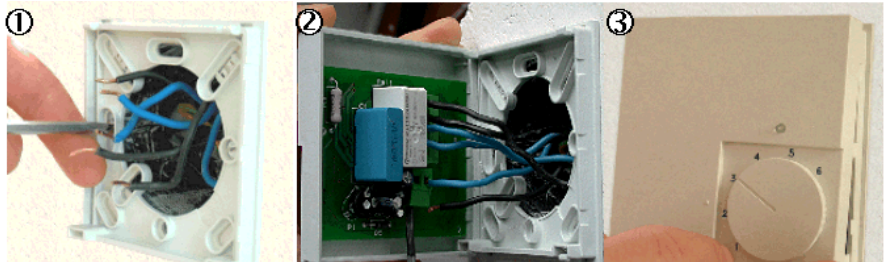
Types SF 30, SF 200



- Same design of room thermostat and clock thermostat
- 16A switching capacity
- Standard time programme pre-set
- **ADVANTAGE:** much space for connection of the wires!



- Easy mounting in 3 steps



- ① Mount base plate on wall box
- ② Connect wires
- ③ Snap in the thermostat

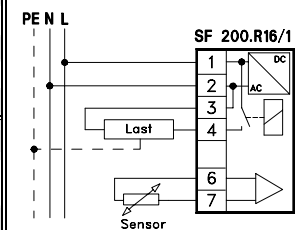
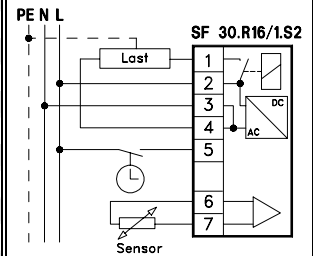
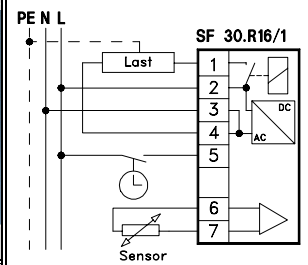
- Self-monitoring remote sensor

	Sensor Element KTY 10-5	FK 133/4	
Temperature Sensor		x	<p>PVC Control Line NYLHY 2 x 0,5² 4,0 m long</p>
Ambient-Temperature Housing	-10 ... + 75°C	x	
Cable	PVC-tube, Ø6mm x 43mm	x	
Specials	PVC, 4m	x	
	for immersion sleeve	x	

Delivery Programme

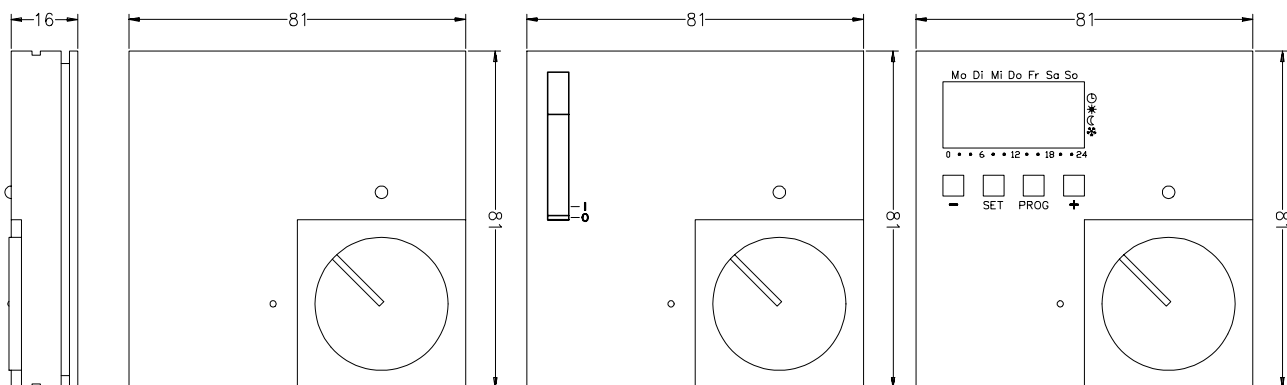
Type	Room Thermostats		Clock Thermostat
	SF 30.R16/1	SF 30.R16/1.S2	SF 200.R16/1
Technical Data			
Temperature Range	+10 ... +60°C	x	x
	+10 ... +50°C		x
Outside Scale	1-6	x	x
Temperature Setback	2 ... 30K, adjustable		x
Sensor KTY	approx. 5K, fix	x	x
	external*	x	x
	internal and external*		x
	internal or external*		x
Sensor Tolerance	± 1K	x	x
Operating Differential	± 0.1 ... ± 3.0K, adjustable		x
	± 0.2K, fix	x	x
Temperature Resolution	actual value 0.1K		x
	nominal value 0.5K		x
Operating Voltage	230V AC	x	x
Max. Current	16A (cos φ = 1), 230V AC	x	x
Output	relay (NO), not potentialfree	x	x
Control-LED	heating on	x	display
Switch	automatic / off		key
Week Time Switch	elektronisch		x
Reserve Power	(refers to the clock, time programs stored permanently)		x
approx. 4 hours			
Program Places	32 switching times		x
Programming	4 keys		x
Default Settings	Mo-Su 06:00 heating Mo-Fr 22:00 setback Sa-Su 23:00 setback		X
Housing			
Protective System	IP 30	x	x
Protective Class	II in accordance with EN 60730	x	x
Weight	approx. 90g	x	
	approx. 120g		x

Connection Diagrams



*1 Remote sensor FK 133/4 included

Housing Dimensions



Do you know the complete product range of Stuhl Regelsysteme?